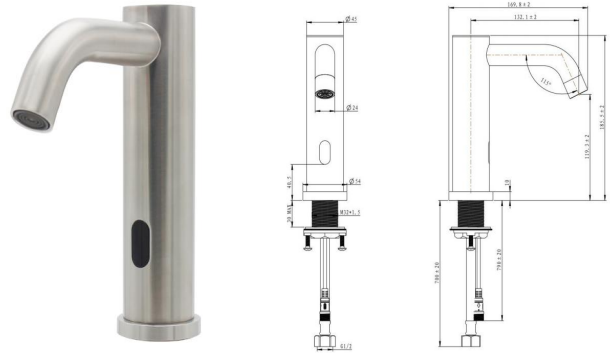


福州锐洁源电子科技有限公司
 FUZHOU RAJEYN ELECTRONIC SCI-TEC., LTD.
 No.1 Shiziting Road, Cangshan District, Fuzhou, Fujian, China, 350008
 Email: sj.peng@rajeyn.com Skype: rjyohuang Mob: +86-15060017331

General Information	
Model No.	RJY-11-S101AD
Type	Deck-Mounted Sensor Faucet
Material	Stainless Steel
Mixer	No/ for cold water only
Net weight	1.1KG
Gross weight	1.2KG
Warranty	One Year
Unit price EXW	
Technical Parameters	
Working power	DC3V & AC220V
Average static power consumption	<50uA
Instant dynamic power consumption	<2.5W
Working water pressure	7.25-101.5PSI (0.05-0.7MPa)
Sensor distance	16-22cm for hands
Error detection time	<0.6 second
Maximum washing period	60 seconds (Default)
Water flow	4L/min at 0.1mpa 9L/Min at 0.4mpa
Environment temperature	34°F-104°F (1~40°C)
Medium temperature	32°F - 149°F (0~65°C)
Inlet diameter	G1/2"
Outlet diameter	G1/2"
Package Information	
Inner package	380*170*113mm
Outer package	525*395*360mm
Quantity per carton	9pcs



Product Feature	
1) Automatic on/off:	Infrared sensor faucet automatically turns on and off (Convenience & Hygiene).
2) Adjustable sensor range	by a remote controller (optional). Unit price for the remote controller is US\$5 on FOB Fuzhou China.
3) Time Limit:	Washing time is set for 60 seconds.
4) Low power indication:	This may indicate it is time to replace existing batteries with new ones or there is not enough power going to unit.
5) Water saving:	Water efficient faucet reduces overall water usage without sacrificing water pressure.
6) Energy saving:	Battery shall last approximately 3000 times/month for 1.5-2 years.