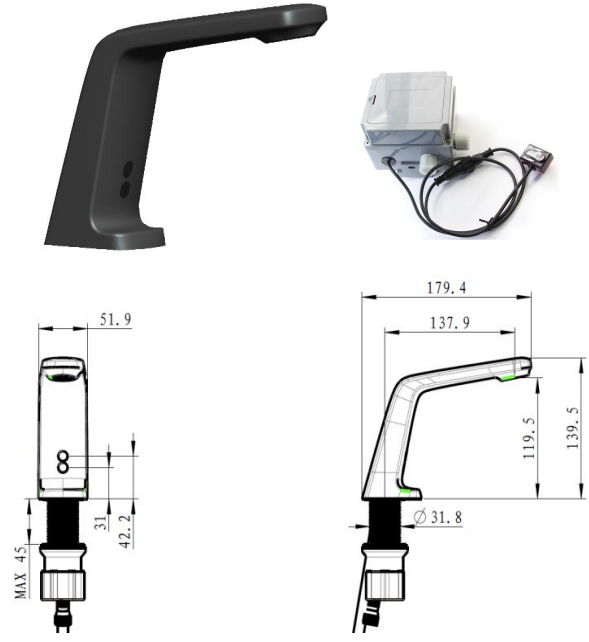


福州锐洁源电子科技有限公司
FUZHOU RAJEYN ELECTRONIC SCI-TEC., LTD.

ADD: No.1 Shiziting Road, Cangshan District, Fuzhou, Fujian, China, 350008
Email: sj.peng@rajeyn.com Skype: rjyohuang Mob: +86-15060017331

General Information	
Model No.	RJY-11-B101.3AD
Type	Deck-Mounted Sensor Faucet
Material	Brass with black finish
Mixer	No/ for cold water only
Net weight	1.7KG
Gross weight	1.9KG
Warranty	One Year
Technical Parameters	
Working power	DC6V & AC220V
Average static power consumption	<50uA
Instant dynamic power consumption	<2.5W
Working water pressure	7.25-101.5PSI (0.05-0.7MPa)
Sensor distance	4-11.8in (10-30cm)
Error detection time	<0.6 second
Maximum washing period	60 seconds (Default)
Mounting diameter	∅ 32
Environment temperature	34°F-104°F (1~40℃)
Medium temperature	32°F - 149°F (0~65℃)
Inlet diameter	G 1/2"
Outlet diameter	G 1/2"
Package Information	
Inner package	380*170*113mm
Outer package	525*395*365mm
Quantity per carton	9pcs



Product Feature
1) Automatic on/off: Infrared sensor faucet automatically turns on and off (Convenience & Hygiene).
2) Adjustable sensor range by a remote controller (optional). Unit price for the remote controller is US\$5.
3) Time Limit: Washing time is set for 60 seconds.
4) Low power indication: This may indicate it is time to replace existing batteries with new ones or there is not enough power going to unit.
5) Water saving: Water efficient faucet reduces overall water usage without sacrificing water pressure.
6) Energy saving: Battery shall last approximately 3000 times/month for about 2 yearS.