

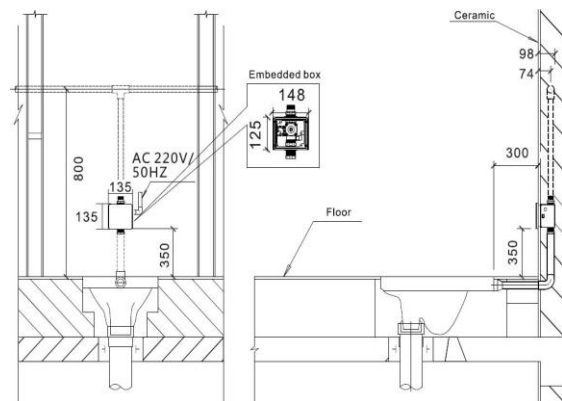
FUZHOU RAJEYN ELECTRONIC SCI-TEC., LTD.

ADD: No 1 Shiziting Road, Cangshan district, Fuzhou city, Fujian Province P.C.: 350008
 Email: info@rajeyn.com Tel: +86-591-83519869

| General Information | |
|---------------------|----------------------------------|
| Model | RJY-30-S101AD |
| Type | Concealed Toilet Sensor Flusher |
| Material | 304 Stainless Steel Sensor Panel |
| Valve | Pulse solenoid valve |
| Net Weight | 1.8KG |
| Gross Weight | 2.5KG |
| Warranty | One Year |

| Technical Parameters | |
|-------------------------|--|
| Working Voltage | DC3V & AC220V |
| Average static power | <40uA |
| Instant dynamic power | <600mA |
| Working water pressure | 0.2-0.7MPa |
| Default Sensor distance | 65±6cm to Standard White Board (About 45cm to Human Body) |
| Adjustable Sensor Range | 50-80cm to Standard White Board |
| Response Time | 3S |
| Flush duration | After-flush: 4s |
| Environment temperature | 1~40℃ |
| Medium temperature | 0~65℃ |
| Inlet/Outlet diameter | G1" |

| Package Information | |
|---------------------|-------------|
| Inner package | 375*165*112 |
| Outer package | 525*395*360 |
| Quantity per carton | 9 |



Product Feature

- 1) Automatic on/off: Infrared sensor toilet flusher automatically turns on and off (Convenience & Hygiene).
- 2) Adjustable sensor range by a remote controller.
- 3) Flush program: Normal Mode flush time 4s.
- 4) Low power indication: This may indicate it is time to replace existing batteries with new ones or there is not enough power going to unit.
- 5) Water saving: Water efficient toilet flusher reduces overall water usage without sacrificing water pressure.
- 6) Energy saving: Battery shall last approximately 3000 times/month for one year.