

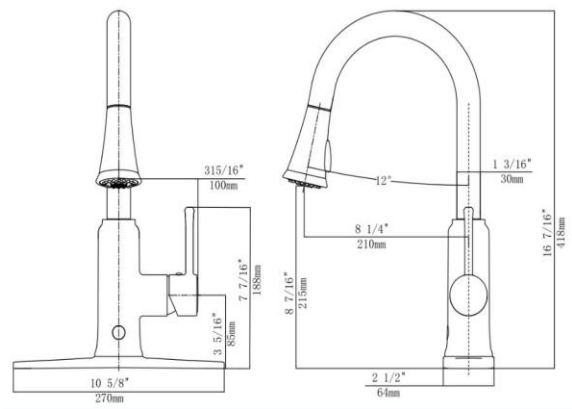
# FUZHOU RAJEYN ELECTRONIC SCI-TEC., LTD.

ADD: No 1 Shiziting Road, Cangshan district, Fuzhou city, Fujian Province P.C.: 350008  
Email: info@rajeyn.com Tel: +86-591-83519869

General Information	
Model	RJY-10-Z102.1D
Type	Motion Sensor Kitchen Faucet
Faucet Material	Stainless Steel & Zinc Alloy (Chroming)
Valve	Pulse solenoid valve
Mixer	With Mixer Handle
Net Weight	2.68kg
Gross Weight	3.58kg
Warranty	One Year

Technical Parameters	
Working Voltage	DC6V
Average static power	<40uA
Instant dynamic power	<600mA
Working water pressure	0.05-0.7MPa
Sensor Mode	Motion ON/OFF
Default Sensor distance	10±2cm to Standard White Board (About 6cm to Hands)
Adjustable Sensor Range	5-15cm to Standard White Board
Response Time	0.6s
Max Water Flow	180s±15s
Environment temperature	1~40°C
Medium temperature	0~65°C
Inlet/Outlet diameter	G1/2"

Package Information	
Inner package	560*250*80mm
Outer package	585*570*270mm
Quantity per carton	6



## Product Feature

- 1) It's wave-on sensor. Hands wave once, water flows while hands wave again water stops. Security stop 3min.
- 2) Cold & hot water: There is a mixer within the faucet to adjust water temperature.
- 3) Sensor STOPS working as long as manual handle activated.
- 4) Low power indication: This may indicate it is time to replace existing batteries with new ones or there is not enough power.
- 5) 360° rotation; Pull-out water hose with manul button to switch waterfall-flow or shower-rain-flow.
- 6) Water saving: Water efficient faucet reduces overall water usage without sacrificing water pressure.
- 7) Sensor lifespan: 500,000 times on and off. Valve lifespan: 500,000 times opening.
- 8) Energy saving: Battery shall last approximately 3000 times/month for one year.
- 9) Standby knob: To switch sensor mode and manual mode.