



Sensor Faucet Introduction



Application





Appearance

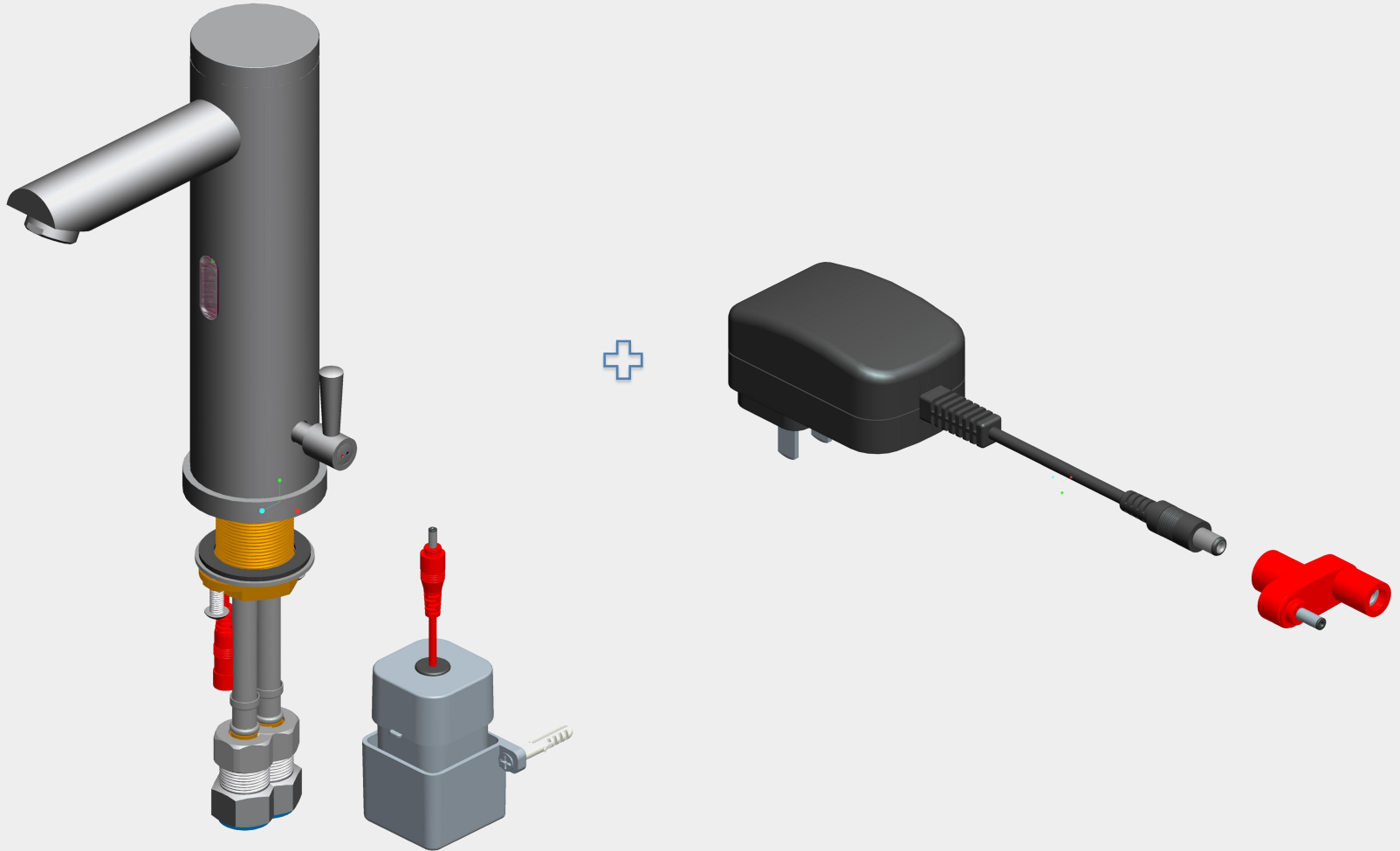


RJY-11-B204D





Configuration

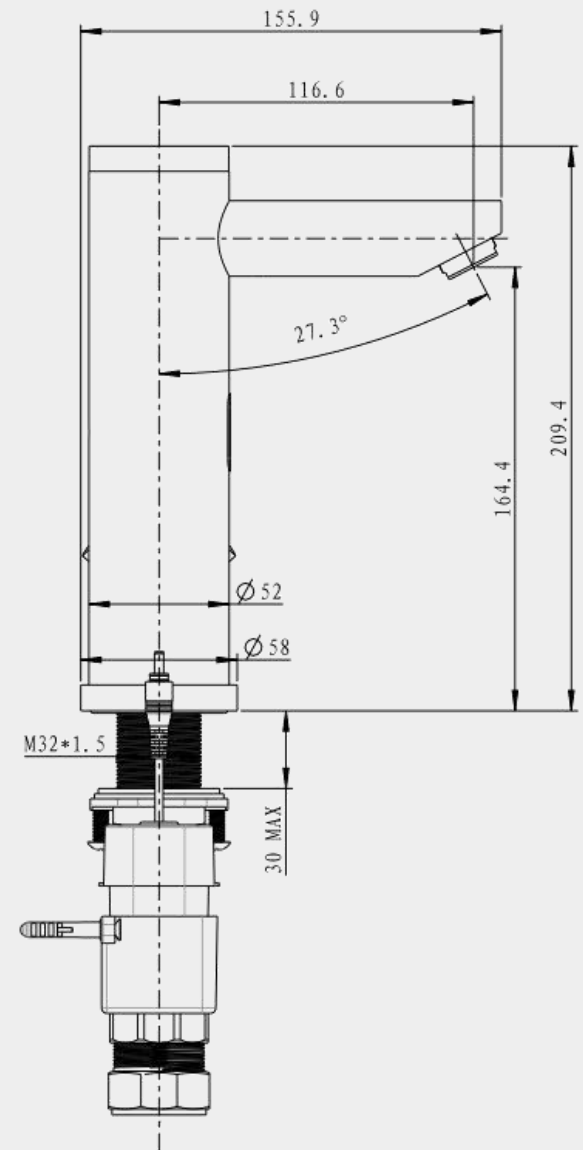
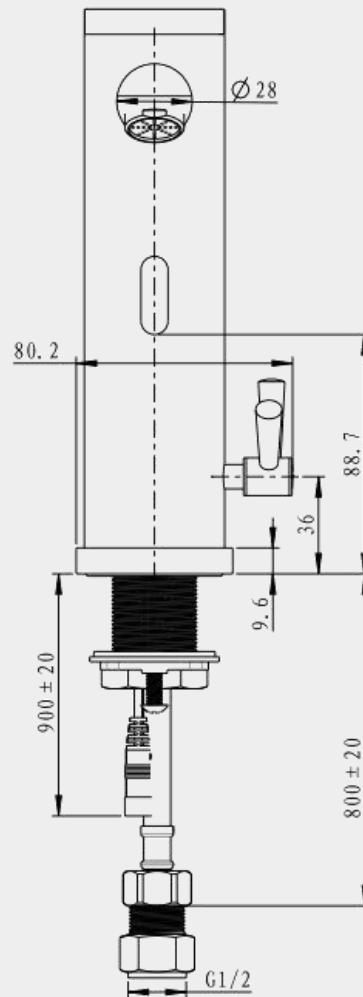
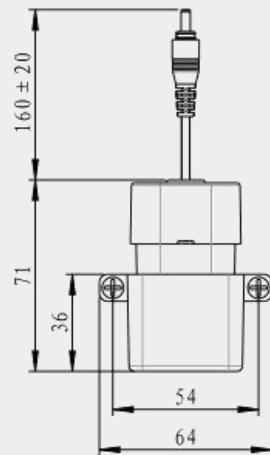
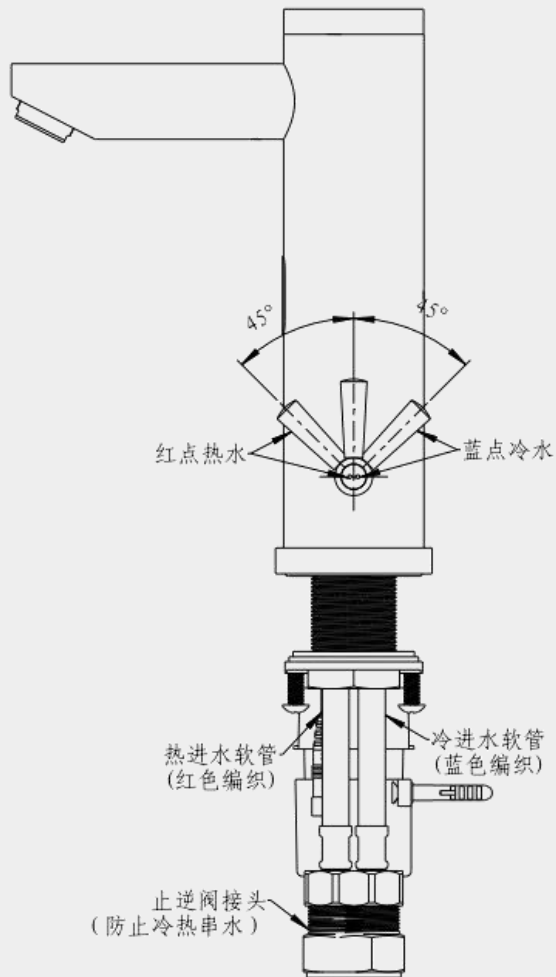


Faucet body and
battery case

AC adapter (**Optional**)



Dimension





Technical parameters

NO.	Items	Parameters
01	Power supply	DC 4.5-6.4V 4 AA alkaline batteries/AC110-240V adapter--Output: 5.0-6.5V/1A (Ripple<60mW)
02	Static consumption	≤ 40 uA
03	Sensor distance	1. Adjustable sensor range: 15-45CM 2. Default sensor distance: 25CM (Standard 29*29cm white board)
04	Sensitivity	0.512 s
05	Pulse width	≤20 ms
06	Max. water flow	60s±6s
07	Working temperature	0 ~ 50 °C
08	Storage temperature	- 40 ~ 80 °C
09	Relative humidity	10 % - 95 %
10	LED flashing	1. LED light flashes 5 times when power-on 2. LED light flashes once when obstacles detected 3. LED light flashes for 10s with 0.5 each time when it is low power 2.4±0.1V
11	Program	Water flows when obstacles detected; water stops when obstacles leave.
12	Stability	Voltage stability: When voltage decreases from 3.2V to 2.4V, the sensor distance variety is lower than ±10% Temperature stability: When temperature increase from 0°C to +70°C, the sensor distance variety is lower than ±10%
13	Anti-interference	No malfunctions when same models installed at 50cm interval working at the same time No malfunctions when working with 1kw hair drier at and light 40w electronic ballast fluorescent lamp when with one AC socket and when at 2cm with batteries power supply. Sensor distance variety no more than ±10% when light is 50lx at 45° position
14	Response time	Open≤1s, close≤1.5s
15	Water pressure	0.05MPa-0.6MPa
16	Water flow rate	Static pressure 0.1±0.01Mpa, Q=4.0L/Min (Q is flow rate, water efficiency level 3)
17	Life span	Dynamic pressure 0.4±0.02Mpa; Water flow≥0.1L/s; life span>500,000 times
18	Max. installation load	20N*M
19	High-low temperature test	55±2°C test machine for 4 hours and then 2 hours at room temperature; -10±3°C test machine for 4 hours and then 2 hours at room temperature. Meet the sealing requirement and water flow rate variety ≤5%.
20	Water hammer action	< 0.2Mpa
21	Water-proof	Battery case: IP24 Potting sensor: IP67 Solenoid valve: IP67



Package





Selling point



Water flows when hands enter the sensor range and water stops when hands leave

1. Intelligent sensor technology, touch free and automatic water on/off. Hygienic and convenient. Save more than 65% water.
2. Water-saving protection: Water stops automatic when water flows 60s continuously to avoid water wasting.

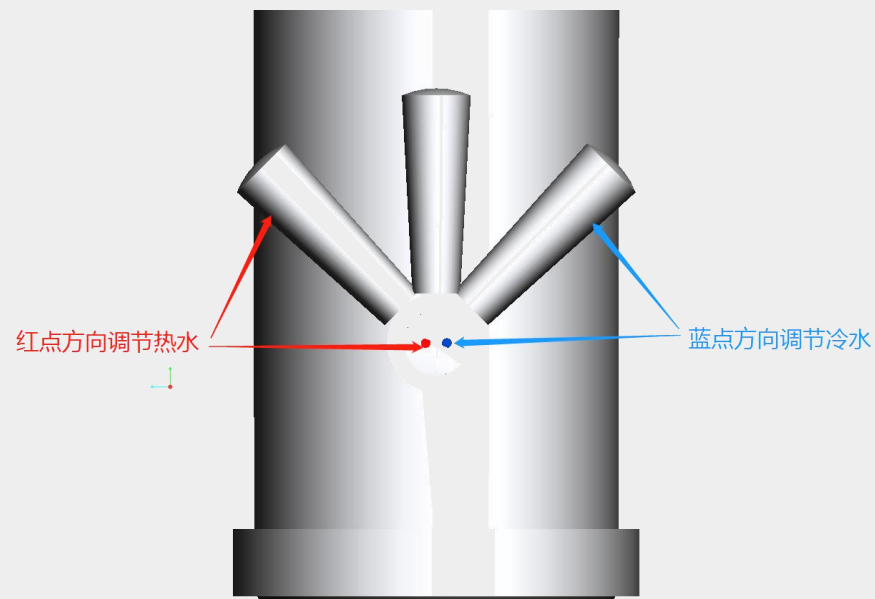
Low power indicator

LED light on the sensor flashes when battery power is low to indicate battery replacement.





Selling point



Mixer on the faucet body
Easy and convenient



Selling point

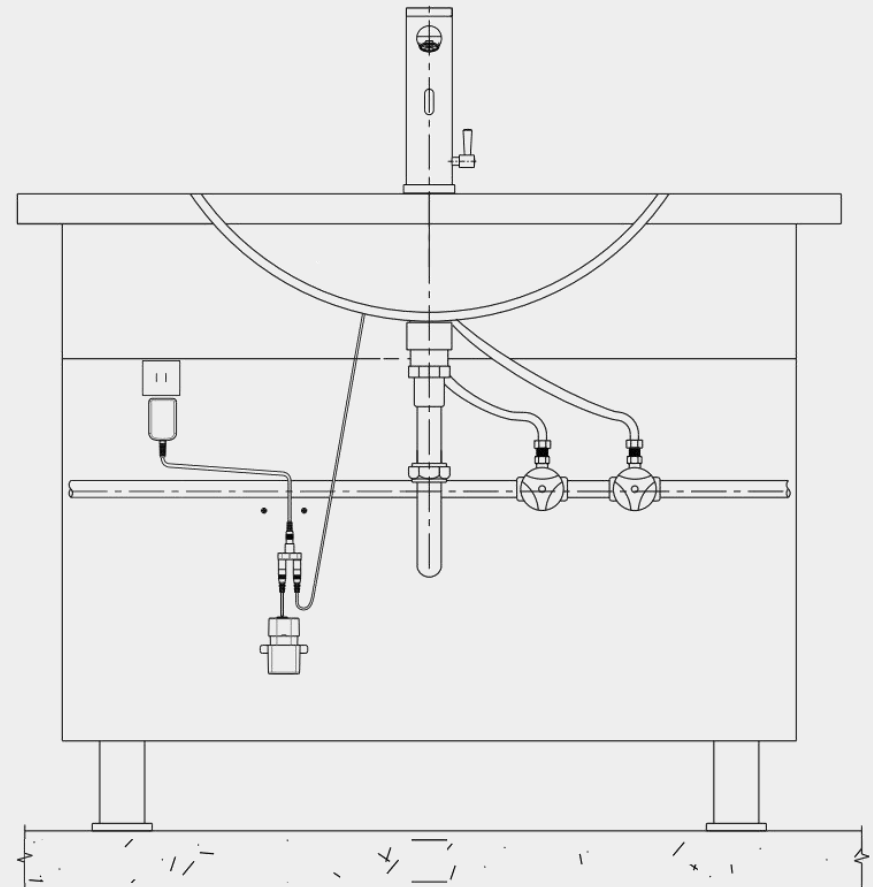
Easy for installation

Integrated design with G1/2 inlet/outlet. The control box can be installed according to the actual environment.



AC/DC power supply. Automatic shut off when no power supply

1. 110-240V adapter for AC power supply. 4 AA alkaline batteries for DC power supply.
2. Valve will be shut off when there is no power supply to avoid water wasting.





Advantage

Anti-electromagnetic Interference

The faucets work as usual even if in strong electro-magnetic interference area.



Made of Refined Brass

Faucets body is made of high quality brass.



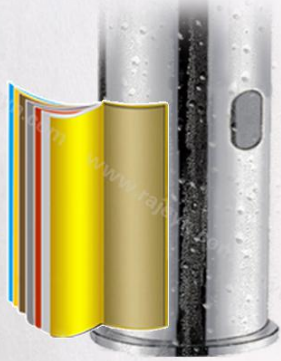
使用寿命

Sensor: 500,000 times
Solenoid valve: 500,000 times



Multi-layer Plating

Faucets pass 24 hours salt and spray test.



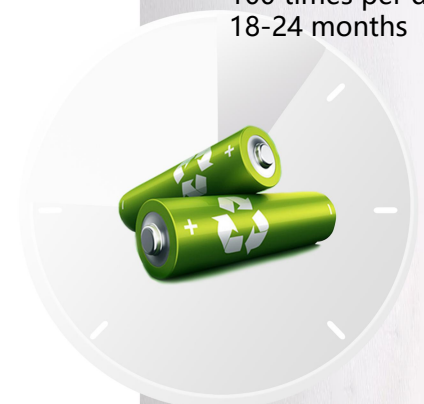
RAJEYN-FAUCETS
Glossy and crack-free

OTHER-FAUCETS
Non-glossy and blister on surface

- ① Semi-product
- ② Rough polishing
- ③ Refined polishing
- ④ Hand-made polishing
- ⑤ Nickel plating
- ⑥ Glossy nickel plating
- ⑦ Chroming

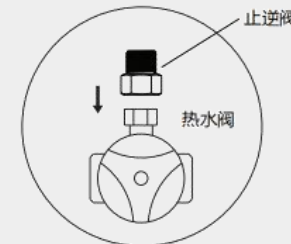
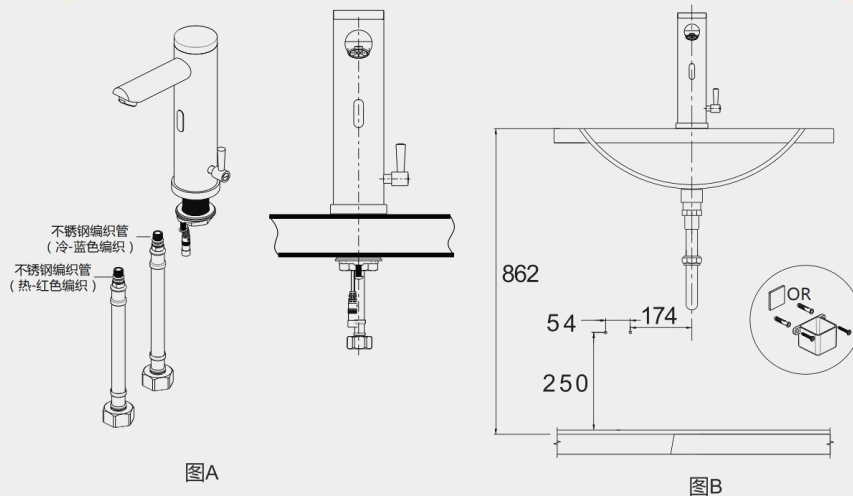
低功耗

100 times per day
18-24 months

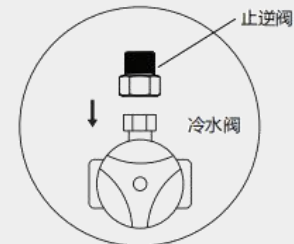




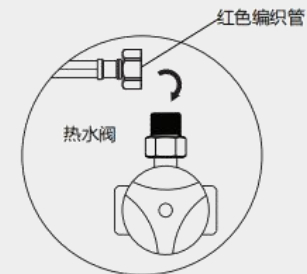
Installation



图C-1



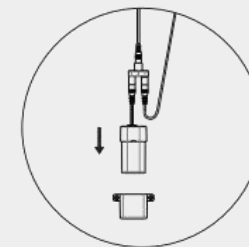
图C-2



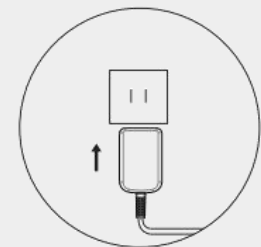
图C-3



图C-4



图C-5



图C-6

Step 1: Take out the faucet and remove the rubber gasket, stainless steel gasket and lock nut on the faucet. Take out the hot and cold water inlet pipes and install them on the faucet in turn (the hot-red braided tube in the front, and the cold-blue braided tube in the back position). Pass the cold and hot water inlet pipes of the faucet and the four-core waterproof cable through the basin hole; finally, sequentially lock the rubber gasket, stainless steel gasket and lock nut from the bottom of the basin to the faucet, and then lock the faucet tightly. (As shown in Figure A)

Step 2: Choose a space under the basin, drill two holes with a diameter of $\phi 7\text{mm}$ and a depth of 30mm, then knock the expansion rubber particles into the holes, and lock the battery box bracket to the wall.

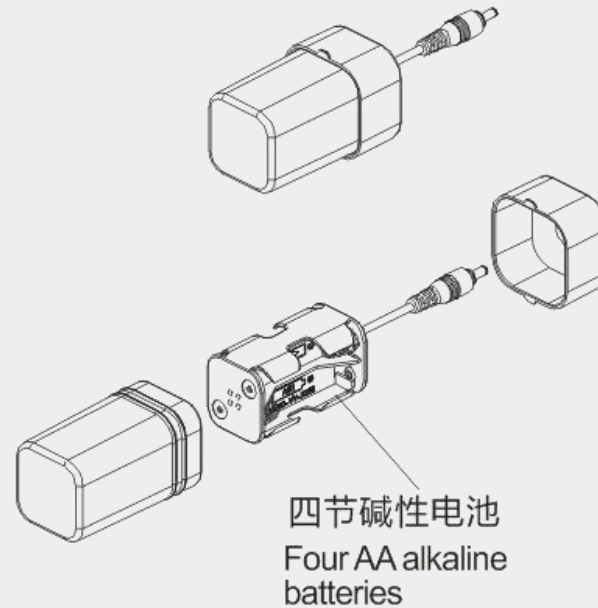
Step 3: Take out and install the two check valve joints on the water outlet on the cold and hot angle valves (as shown in Figure C-1 and C-2), and then connect the braided pipes to the check valve joints.

Step 4: Plug the AC power adapter into the wall AC socket, and connect the DC end to DC connector of the control box (as shown in Figure C-5 and C-6);

Note: There should be no gap after the connection line is connected to prevent water from entering; please pay attention to the positive and negative directions marked on the battery box when inserting the battery;



Battery replacement



Step 1: Remove the battery box and remove the battery box cover

Step 2: Take out the old battery, replace it with new AA batteries, and reinstall it as it is after checking.

Note:

The positive and negative polarity of the battery must be correct, and old and new batteries or batteries of different brands cannot be mixed.

When the battery is exhausted, the indicator light flashes, prompting to replace the batteries.



Trouble shooting

Phenomenon	Cause	Solutions
After induction, the indicator light does not flash, and there is no water	AC power failure	Check the circuit and wait for the power supply
	No battery, reverse battery installation, or poor battery contact	Install the battery, or reinstall the battery after correct polarity
	The signal cable plug is not connected properly	Reconnect the signal cable plug
The sensor keeps sensing, but does not emit water	Obstacles in the sensing range	Move obstacles away from the sensing area
	Sensing distance is too long, self-induction with basin	Use the dedicated remote control to shorten the distance
	The sensor window has stains or water stains	Wipe the sensor window with a soft cloth to clean
	Outside infrared rays exceed standard	Remove or avoid direct infrared rays from the outside world
The indicator light flashes continuously at a slow speed, and no water.	Low battery power	Replace a set of new batteries of the same brand
After induction, the indicator light flashes normally, but no water comes out	The water inlet valve or main water valve is not turned on	Open the water inlet valve or main water valve
The water does not stop	The solenoid valve is blocked	Clear the blockage in the valve
	The water pressure is too high	Adjust the water pressure to fit the factory specifications
Water flow is too small	The water inlet valve or main water valve is not fully opened	Open the water inlet valve or the main water valve to the maximum
	Filter is clogged	Clear the blockage on the filter
	The water pressure is too low or the water is cut off	Adjust the water pressure or turn on the water source

Note: If the failure exceeds the items listed above, please contact the technicians for repair as soon as possible



THANKS!