



Sensor Faucet Introduction



Application





Appearance



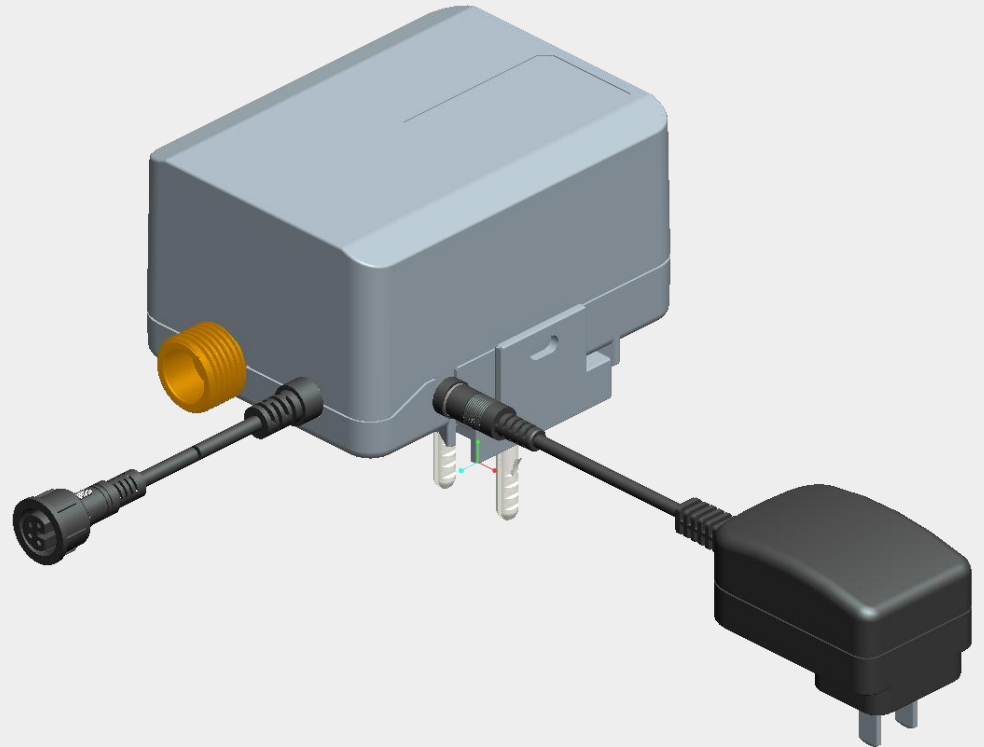
RJY-11-B112AD



Spare Parts



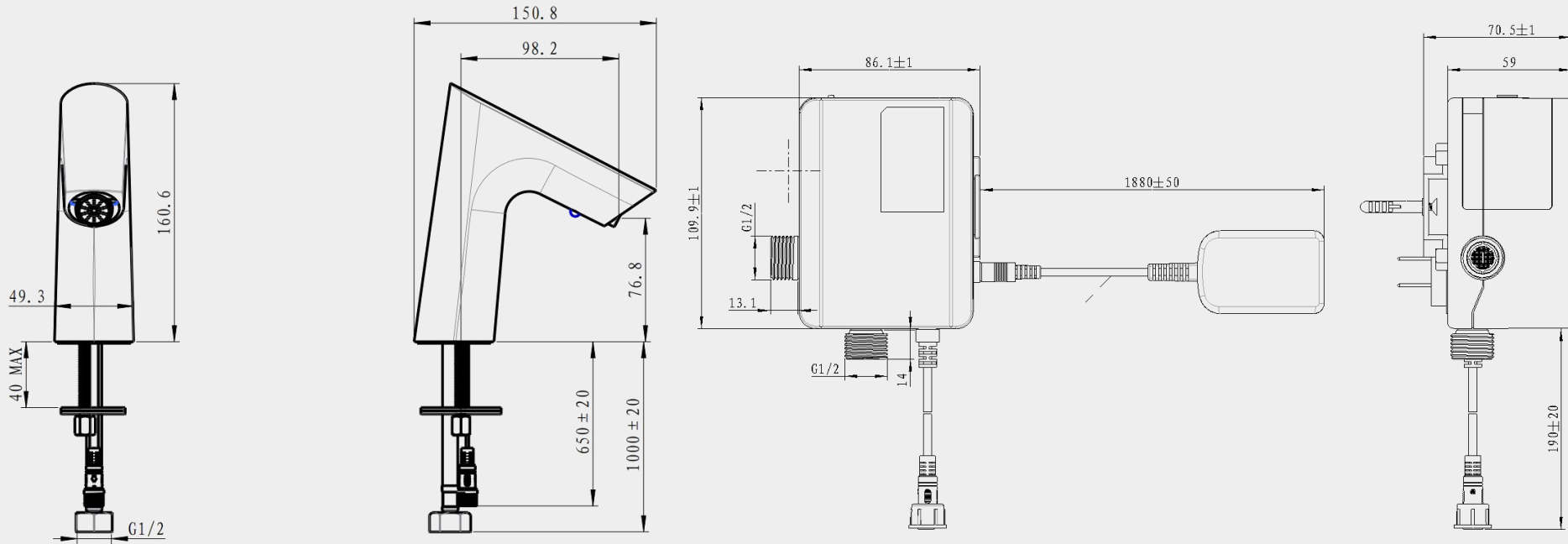
Faucet Body



Control Box



Drawing





Technical Information

No.	Item	Parameters
01	Input	DC 4.5-6.4V 4pcs AA alkaline batteries/AC 110-240V adapter
02	Standby Power Consumption	$\leq 33 \mu\text{A}$
03	Sensor Distance	1. Adjustable range 7-21CM 2. Default distance when power connected $9 \pm 10\%$ CM Sensor distance will automatically adjusted in 30s.
04	Sensor Delay	0.36 s
05	Pulse Width	$\leq 20 \text{ ms}$
06	Max Washing Period	$60 \pm 6\text{s}$
07	Working Temperature	$0 \sim 50 \text{ }^\circ\text{C}$
08	Storage Temperature	$- 40 \sim 80 \text{ }^\circ\text{C}$
09	Relative Humidity	10 % - 95 %
10	LED Flash	1. LED flash 5 times when power connected. 2. Object in the sensor range, LED flash once. 3. Low power indication voltage $4.5 \pm 0.1\text{V}$, LED continuously flash for 10s with 0.5s per time.
11	Sensor Programming	Hands in sensor range, water automatically flow. Hands out of sensor range, water automatically stop.
12	Stability	Sensor distance changes less than $\pm 10 \%$ if working voltage decreases from DC6.4V to DC4.6V Sensor distance changes less than $\pm 10 \%$ if temperature increases from 0°C to $+70^\circ\text{C}$.



Technical Information

No.	Item	Parameters
13	Anti-inteference	<p>There's no malfunction if more than one systems working together at the same time with distance of 50cm.</p> <p>AC powered product: Access to 1KW hair dryer and 40W electronic ballast fluorescent lamp in the same power socket.</p> <p>DC powered product: Connect 1KW hairdryer and 40W electronic ballast fluorescent lamp at a distance of 2m</p> <p>Turn on and off the electric appliance for 3 times, without error.</p> <p>Set the light source in the direction of 45°, so that the illumination reaches 50LX. Sensor distance changes no more than ±10%</p>
14	On/off Delay	Turn on ≤ 1s, Turn off ≤ 1.5s
15	Working Pressure	0.05MPa-0.6MPa
16	Water Flow	Static water pressure 0.1±0.01Mpa, Q=4.5L/Min (Q is water flow and water efficiency level 2)
17	Life Span	Dynamic water pressure 0.4±0.02MPa; water flow ≥ 0.1L/s; life span > 500,000 circles on/off
18	Anti-mounting Load	20N*M
19	High-low Temperature Duability	After stored in the test chamber at 55±2°C for 4H, the sample was stored at room temperature for 2H. The joint will be stored in the -10±3°C test chamber for 4H, then set at room temperature to restore 2H. The sample meets the sealing requirements and water flow change is less than 5%.
20	Water Hammer Performance	< 0.2Mpa Turn on the product to fill the water pipe with water and waits until to the steady flow rate. The peak pressure of instantaneous turning off the product.
21	Waterproof	Battery case IP 24 Infrared sensor IP 67 Solenoid valve IP 67



Package





Function



Infrared Sensor



Automatic on/off

1. Infrared sensor faucet automatically turns on and off (Convenience & Hygiene).
2. Time Limit: Washing time is set for 60 seconds.

Low Power Indication

This may indicate it is time to replace existing batteries with new ones or there is not enough power going to unit.





Function

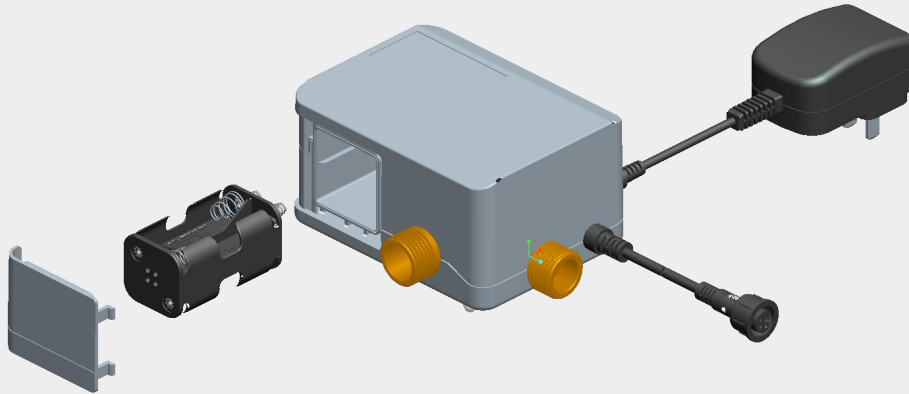


Sensor Distance Automatically Adjusted

Sensor distance automatically adjusted according to working conditions and environment.



Feature

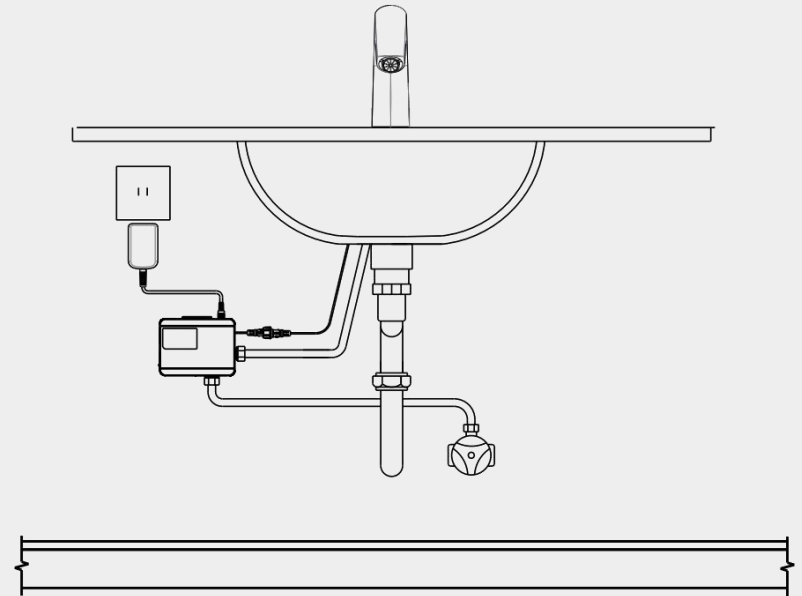


Battery and Main Power Supply

1. Power supply: DC6V/AC110-240V
2. Compact size
3. The valve will automatically stop water flowing if no power supplied.

Easy Installation

Compact design and easy to install.





Feature

Anti-electromagnetic Interference

The faucets work as usual even if in strong electro-magnetic interference area.



Made of Refined Brass

Faucets body is made of high quality brass.



Life Span

Infrared Sensor—500,000 Circles
Solenoid Valve—1,000,000 Circles



Multi-layer

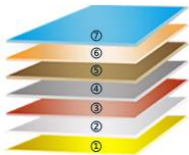
Faucets pass 24 hours salt and spray test.



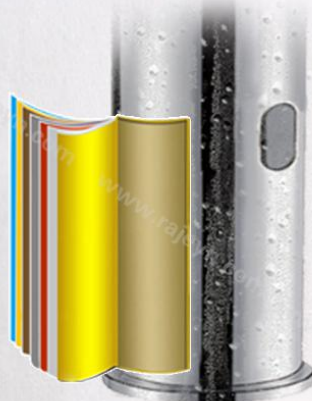
RAJEYN-FAUCETS
Glossy and crack-free



OTHER-FAUCETS
Non-glossy and blister on surface



- ①Semi-product ⑤Nickel plating
- ②Rough polishing ⑥Glossy nickel plating
- ③Refined polishing ⑦Chroming
- ④Hand-made polishing



Low Power Consumption

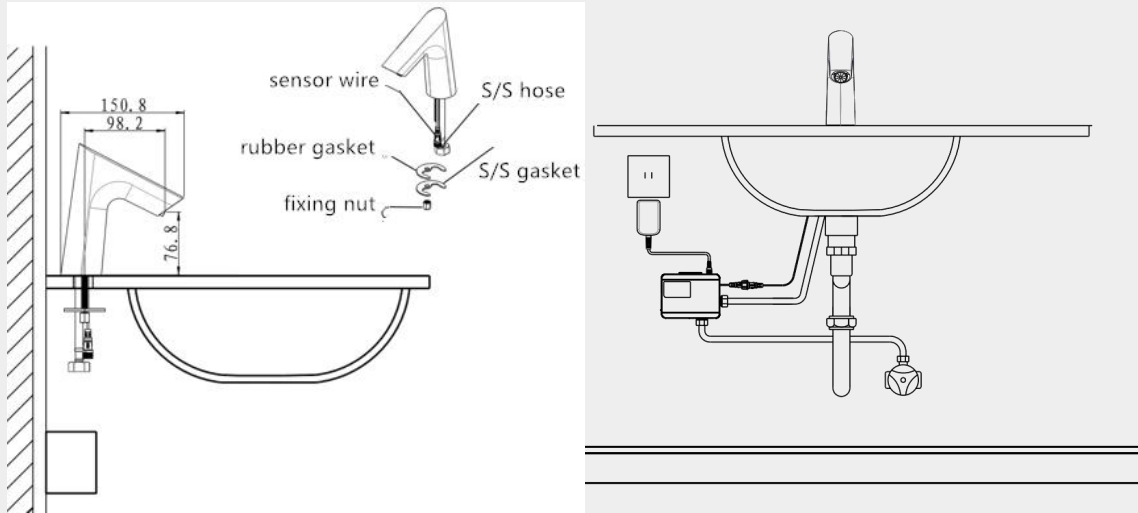
Four pieces AA alkaline batteries last 24 months with 3,000 circles/month.

LAST 24 MONTHS





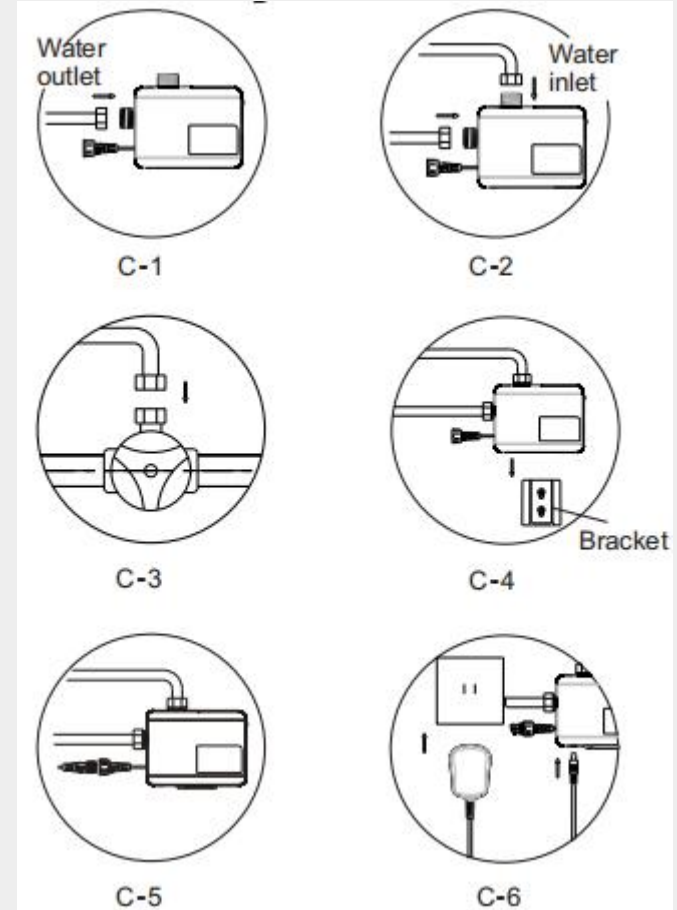
Installation



- Step 1: Fix faucet body to the basin with nuts and gaskets.
- Step 2: Drill two holes in wall and fix control box under the basin.
- Step 3: Connect faucet water hose to the control box.
- Step 4: Connect sensor wire.
- Step 5: Plug adapter to the main power supply.

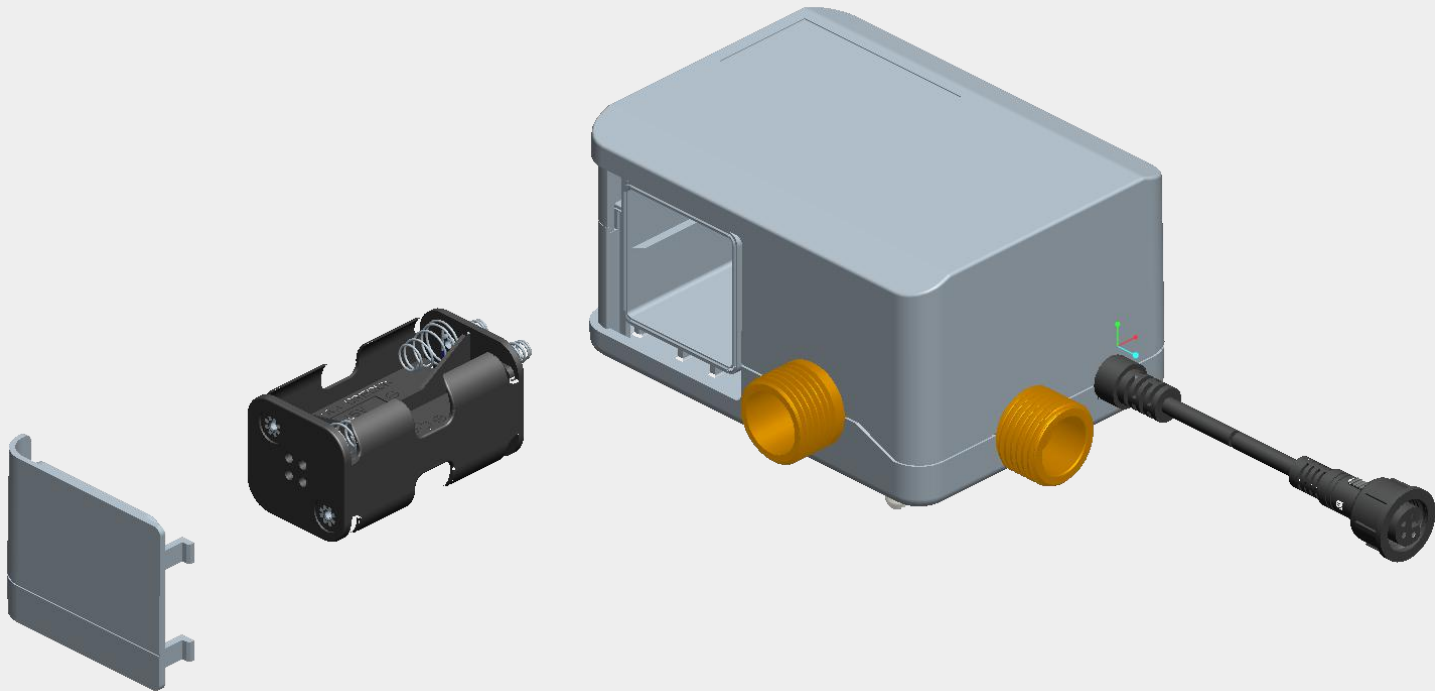
Important Note

- Make sure all the wires are well connected.
- Make sure the batteries are installed correctly.





Battery Replace



*Indicator light will flash continuously if battery power is low, reminding you of replacing batteries.
Step 1: Remove the battery case cover.
Step 2: Replace with 4 AA alkaline batteries.

- ***Make sure the batteries are installed correctly (positive and negative charge).**
- ***Do NOT mix new old batteries.**
- ***Do NOT mix batteries of different brands.**



Maintenance

Problem	Possible Reason	Solution
Detect sensor but no LED light flash, no water flow	No main power	Check main power and connect main power
	No batteries OR batteries installed incorrectly	Install batteries and make sure batteries are installed correctly.
	Wires not well connected	Reconnect wires
Sensor with LED flash but no water flow	Object in the sensor range	Remove the object
	Dirt/water on sensor housing	Clean sensor housing
Sensor LED flash continuously but no water flow	Batteries run out	Replace with new batteries
Sensor LED flash once when detected but no water flow	Water valve is off	Turn on water valve
Water continuously flow	Dirt on valve	Clean valve
	Water pressure is too high	Adjust water pressure between 0.05-0.7MPa
Water flow too small	Main water valve is not fully opened	Fully turn on main water valve
	Dirt on water filter net	Clean filter net
	Water pressure is too low	Adjust water pressure between 0.05-0.7MPa



Thank you

