



# **Sensor Faucet Introduction**



# Application





# Appearance

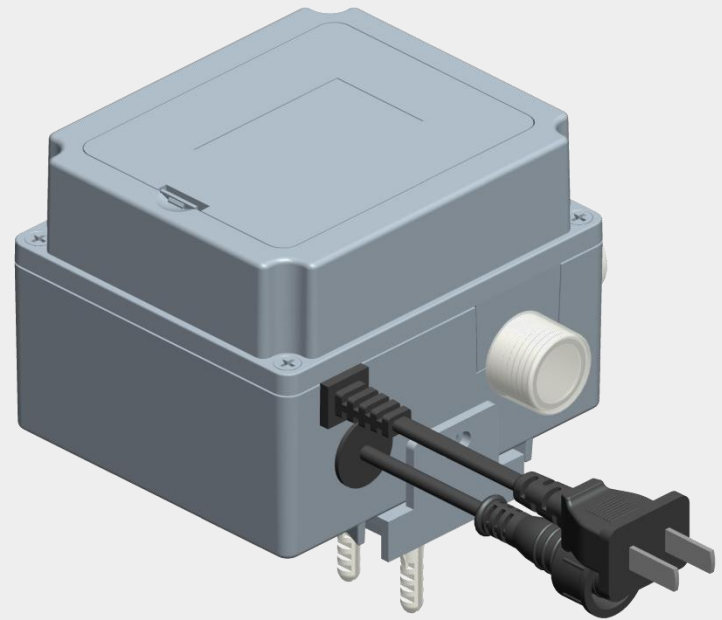
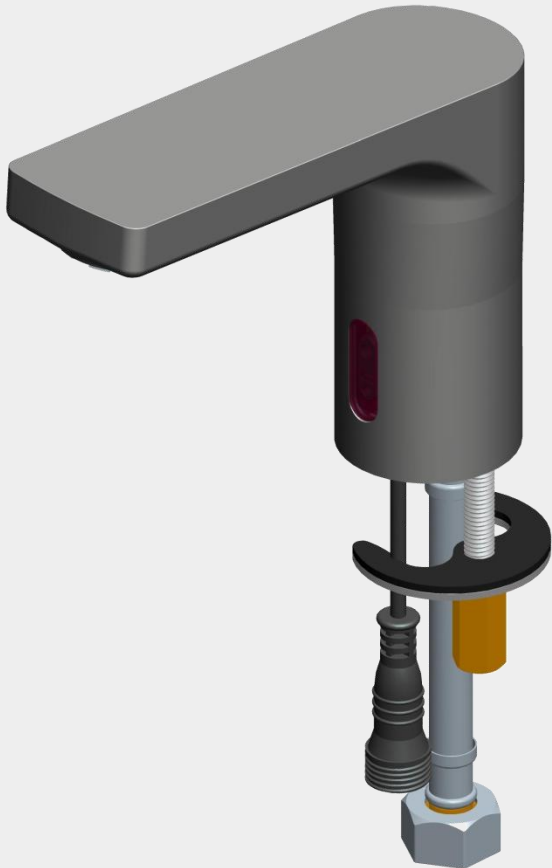


**RJY-11-B104AD**





# Product

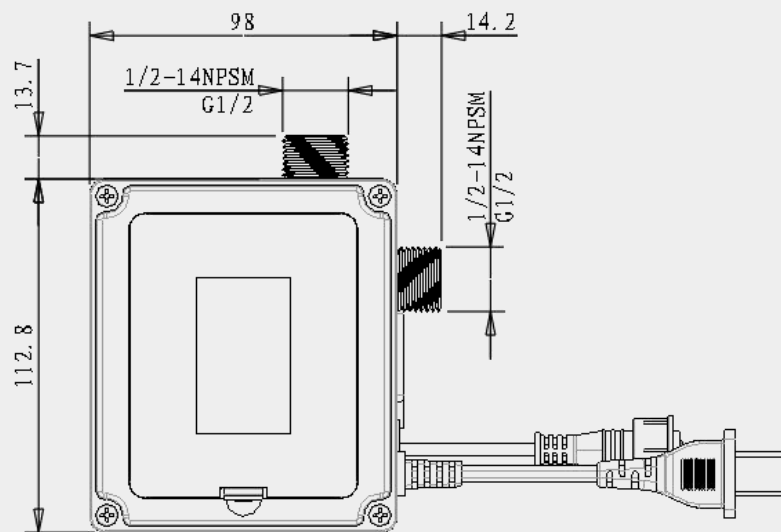
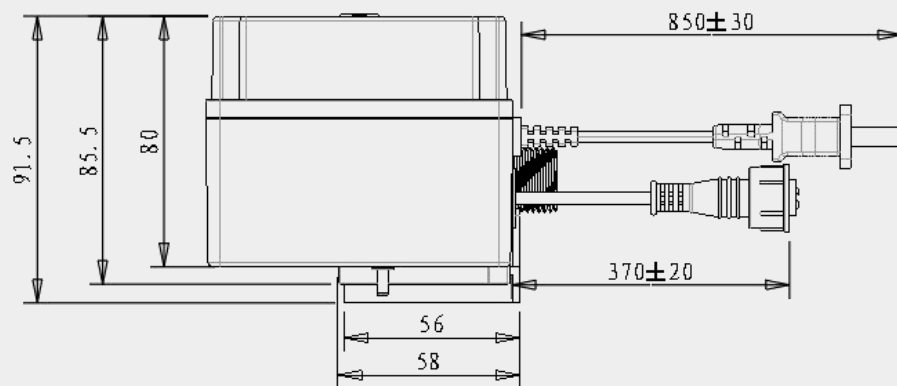
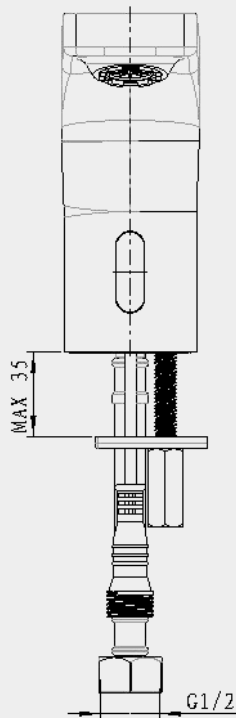
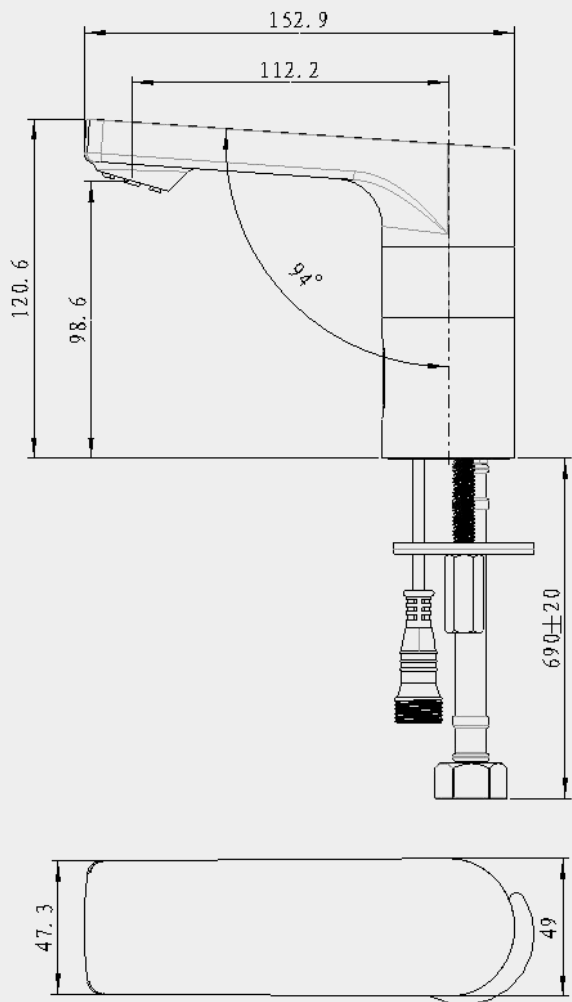


Faucet body

Control box



# Drawing





# Technical Data

No	Item	Technical Data
01	Power	DC 4.5-6.4V 4AA alkaline batteries/AC 110-240V output 5.0-6.5V/1A (ripple<60mW)
02	Standby power consumption	$\leq 33 \mu\text{A}$
03	Sensing distance	1. Adjustable distance range: 15-45CM 2. Factory default sensing distance: 25CM (Reference whiteboard 29*29cm)
04	Sensitivity	0.512s
05	Pulse width	$\leq 35 \text{ ms}$
06	Security stop	60s $\pm$ 6s
07	Working temperature	0 ~ 50 °C
08	Storage temperature	- 40 ~ 80 °C
09	Relative humidity	10 % - 95 %
10	Light display	1.Flash 5 times when power –on;2. Flashes once when entering the induction zone;3. Low voltage test at the red light will flash 0.5S/time for 10S during the low test
11	Instructions	Hands enter into the sensing range, water flows: hands leave, water stops.
12	Stability	Voltage stability: The sensing distance change does not exceed $\pm 10 \%$ when power drops from 6.4V to 4.5V Temperature drift stability: the temperature rises from 0°C to +70°C and the distance change does not exceed $\pm 10 \%$
13	Anti-interference	Install multiple units of the same model at a distance of 50cm, and when they are turned on and working (including standby), they should not interfere with each other and cause malfunction The AC power supply is connected to the same power outlet with 1kw hair dryer and 40w electronic ballast fluorescent lamp. The DC power supply is connected with a 1kw hair dryer and a 40w electronic ballast at a distance of 2m, and the appliance is turned on and off 3 times without malfunction. Set the light source in the direction of 45° to make the illuminance reach 50lx, and the sensing distance change does not more than $\pm 10 \%$
14	Switch response time	Open $\leq 1\text{s}$ , close $\leq 1.5\text{s}$
15	Working pressure	0.05MPa-0.6MPa
16	Flow characteristics	Static pressure 0.1 $\pm$ 0.01Mpa, Q=4.5L/Min (Q is flow, water efficiency grade is 3)
17	Lifespan	Dynamic Pressure 0.4 $\pm$ 0.02MPa; Control flow $\geq$ 0.1L/s; life test>500,000 circles
18	Anti-installation load	20N*M
	High and low temperature	Store it in a 55 $\pm$ 2°C test box for 4 hours, then put it at room temperature to restore 2H; put the joint in



# Package





# Selling point



## Low voltage detection

When the battery is exhausted, the indicator light flashes, and the faucet no longer discharge water, indicate to replace the battery



Sensor



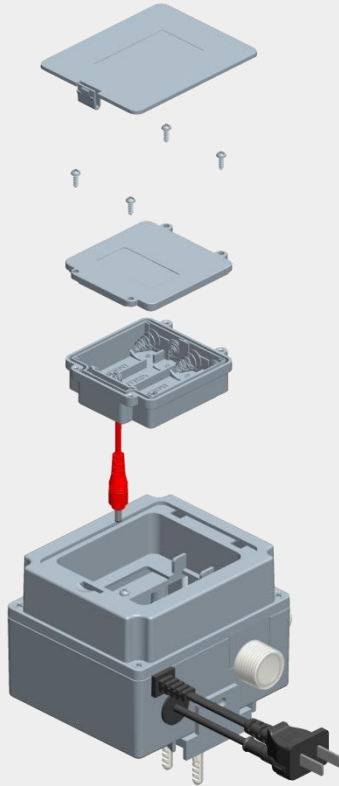
## Automatic turn on/off water

1. Microcomputer smart sensor technology, non-contact sensor technology, water will automatically flow out when hands enter into the sensing range, and the water stops automatically after hands leave, which is convenient and hygiene, prevents cross-infection, and can effectively save 65% of water
2. Water saving: automatically turn off the water after 60 seconds to prevent long-time water flow waste due to misinduction



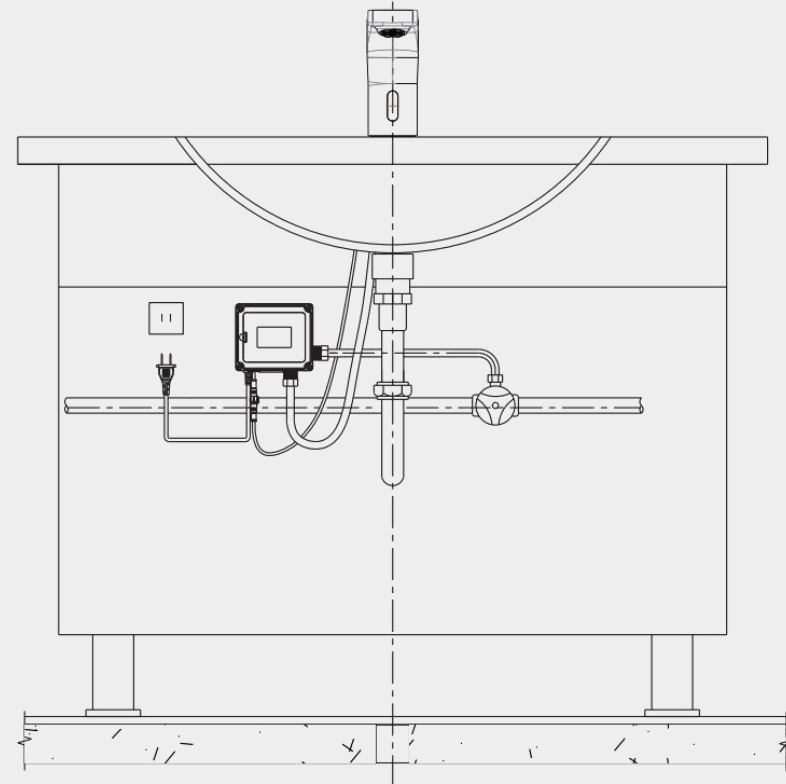


# Selling point



## Easy to install

High degree of integration, G1/2 simple installation, solenoid valve box can be installed and adjusted according to the actual scene, the installation is more convenient



### AC and DC power supply, automatic shut-off valve after power failure

1. AC uses 110-240V switching power adapter; DC uses four AA dry batteries, and the battery box is built-in.
2. The integration of product make it simple to use.
3. The valve will be automatically closed when the battery is exhausted or when the power is removed for maintenance to avoid water keeps coming out after power outage.



# Product advantages

## Anti-electromagnetic Interference

The faucets work as usual even if in strong electro-magnetic interference area.



## Life Span

Infrared Sensor—500,000 Circles  
Solenoid Valve—500,000 Circles



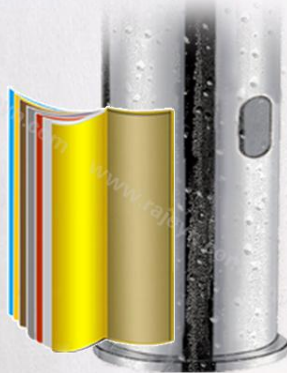
## Made of Refined Brass

Faucets body is made of high quality brass.



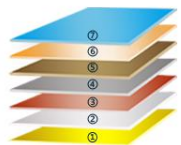
## Multi-layer Plating

Faucets pass 24 hours salt and spray test.



RAJEYN-FAUCETS  
Glossy and crack-free

V3  
OTHER-FAUCETS  
Non-glossy and blister on surface



- ①Semi-product
- ②Rough polishing
- ③Refined polishing
- ④Hand-made polishing
- ⑤Nickel plating
- ⑥Glossy nickel plating
- ⑦Chroming

## Low Power Consumption

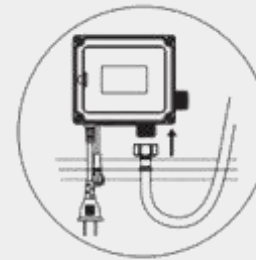
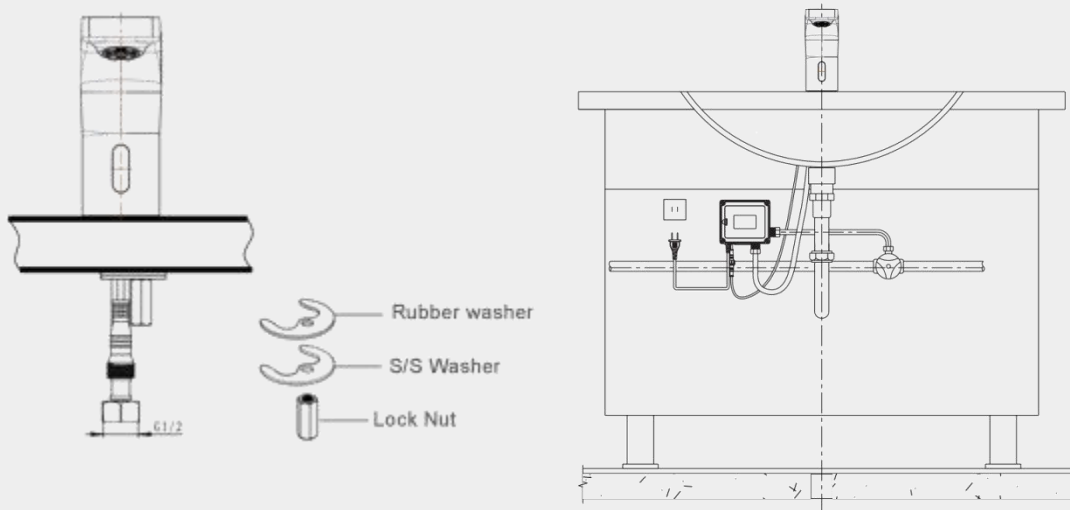
Used at a frequency of 100 times/day

Last 12-18 months

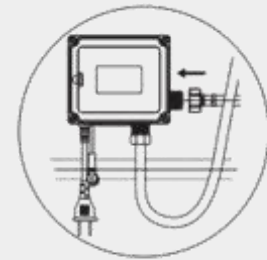




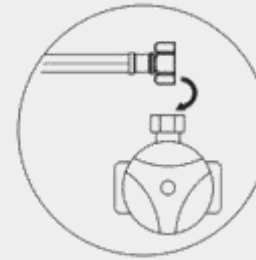
# Installation



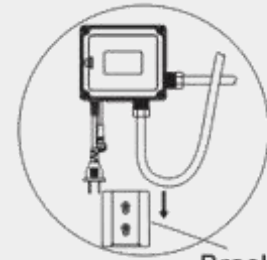
C-1



C-2

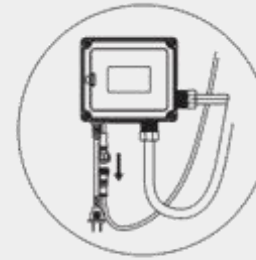


C-3

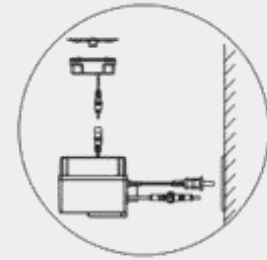


Bracket

C-4



C-5



C-6

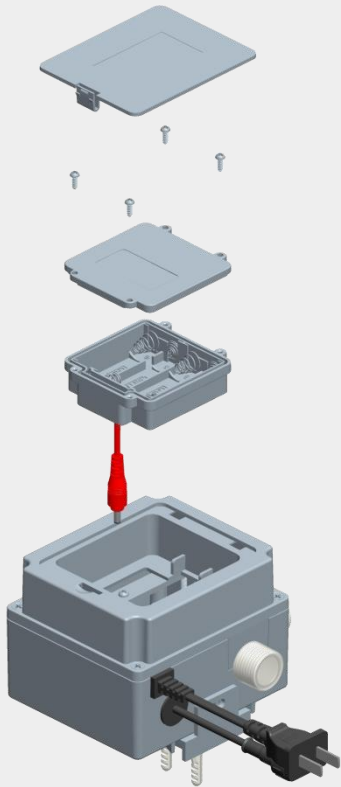
- 1: Take out the faucet, remove the lock nut and two washers, pass the wire and the hose through the basin hole, install back the two washers and fixing the lock nut.
- 2: Find a suitable position under the basin, and nail holes on the wall, and fix the bracket on the back of the control box to the position
- 3: Connect the hose with the control box water outlet and lock it tightly, as C-1.
- 4: Take another two-end hose with G1/2 thread(purchased by the client), one end is locked with the control box water inlet(as C-2), and the other end is connected to the water supply angle valve and lock it firmly(as C-3);  
Note: If the angle valve is not G1/2 thread, please choose the matching hose.

- 5: Fix the control box on the bracket(as C-4), connect the wire on the control box and on faucet(as C-5);
- 6: Connect the AC adapter into the main power, and connect the DC end to the control box (as Figure C-6);

**Note:**  
There should be no gap after the wire connected to prevent water from entering; please install the batteries in the correct polarity as marked on the battery box.



# Battery replace



## Replacement battery

Note: Please replace the battery when the indicator light continuously and slowly double flashes:

- 1) Open the upper cover, and take out the battery box group;
- 2) Take out the old batteries and replace with new four AA alkaline batteries;
- 3) Check that if the installation is correct, fix the battery box group back, and return it to its original position, and fasten the upper cover.

## Note:

Make sure the batteries are installed correctly (“+” positive and“-” negative charge). DO NOT mix new & old batteries. Do NOT mix batteries of different brands.



# Maintenance

Abnormal Phenomena	Possible Reason	Suggested Solution
No sensor light flash, no water flow	AC power failure	Check the circuit and wait for the power
	No battery, reverse installation, or poor battery contact	Install the battery, or reinstall the battery after correct polarity
	The sensor wire connect not well	Reconnect the sensor wire
Sensor work but no water flow	Obstacles in the sensing range	Move away the obstacles
	Sensing distance is too long, self-induction with basin	Shorten the sensing distance by the remote controller
	Dirt on sensor case	Clean the sensor case
	Outside infrared rays exceed standard	Remove or avoid direct infrared rays from the outside
The indicator light flashes continuously at a slow speed, no water flow	Batteries run out	Replace same brand and new batteries
The indicator light flashes normally after sensing, but no water flow	The water inlet valve or main water valve is not opened	Open the water inlet valve or main water valve
Water non-stop	Solenoid valve blocked	Clean the solenoid valve
	Water pressure is not applicable	Refer to technical parameters
Low water flow	The water inlet valve or main water valve is not fully opened	Open the water inlet valve or main water valve to the max.
	Dirt on water filter net	Clean the water filter net
	Water pressure is too low or water is cut off	Adjust the water pressure or turn on the water source



**THANKS**